

MC305CB-3

Specifications

Capacity	Maximum	2.98t x 2.5m
Working radius	Maximum	12.16m x 0.25t
Lifting height	Maximum	8.7m x 550kg
Dimensions	MC305CB-3	4195mm x 1280mm x 1695mm
Weight	MC305CB-3 Hook block weight	3925kg 30kg
Hook speed	Maximum	9.2m / min. (4 falls, 4th layer)
Single line speed	Maximum	37.2m / min. (4th layer)
Hoist rope	Type	IWRC 6 x WS (26) Ø 8mm x 73m
Telescopic system	Boom length Telescoping speed Boom type	3.695 ~ 12.485m 8.79m / 39.6 sec. Fully automatic 5 section pentagonal telescopic boom
Boom hoist system	Hoist angle / speed	0° ~ 80° / 19.9 sec.
Slew system	Slew angle / speed	360° / 1.6 rpm
Outrigger system	Type Maximum outriggers	Extended Hydraulic cylinder direct acting Setting up Hydraulic cylinder direct acting (Length) 5170mm x (Front) 4808mm x (Rear) 4704mm
Traction system	Drive Travel speed Gradability Ground length x width Ground pressure	Hydraulic motor driven, stepless speed changer 0 ~1.4 km/h 23° 1750mm x 300mm 0.37kgf / cm ²
Battery system	Maker Type 5-hour rate capacity Input Voltage/Current Charging during operation	Toshiba Lithium Titanate Battery DC55V - 180Ah Single phase AC200V / 16A, AC100V / 15A Available
Motor	Rated output	Variable 7.5kW AC30V at 2500min ⁻¹
Charging time	(with AC-200V) (with AC-100V)	80%: 3h 00min / 100%: 4h 30min 80%: 8h 15min / 100%: 10h 30min
Continuous operating time	Travelling (Hi speed) Crane	2h 50min up to a full working day if charged during operation.
Safe load indicator	Made specifically for Maeda Mini Cranes with a fully programmable working envelope	
Standard equipment	Overwind protection, Hour meter, Wireless radio remote control, White rubber tracks, Hydraulic safety valves, Tilt alarm, EMO switch, Programmable Moment limiter, Working limit settings, Working status lamp, Load indicator, Data logger, Crane and outrigger interlock system, 4-fall / 2-fall hook block.	
Optional equipment	Black Rubber Tracks, Single Fall Hook, adio remote control, Searcher hooks (850kg & 1500kg)	



Mini Crane

MC305CB-3



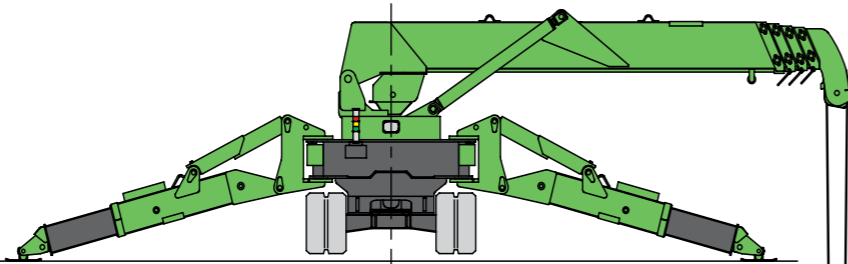
www.kranlyft.com



www.kranlyft.com

Delivering the capacity, reliability and flexibility required for the most demanding operators, the new Maeda MC305CB-3 builds on the successful legacy of the MC305C-3 model. Equipped with a strong lithium-ion battery it provides zero emissions and still equals its predecessor in both operation speeds and lifting capacity.

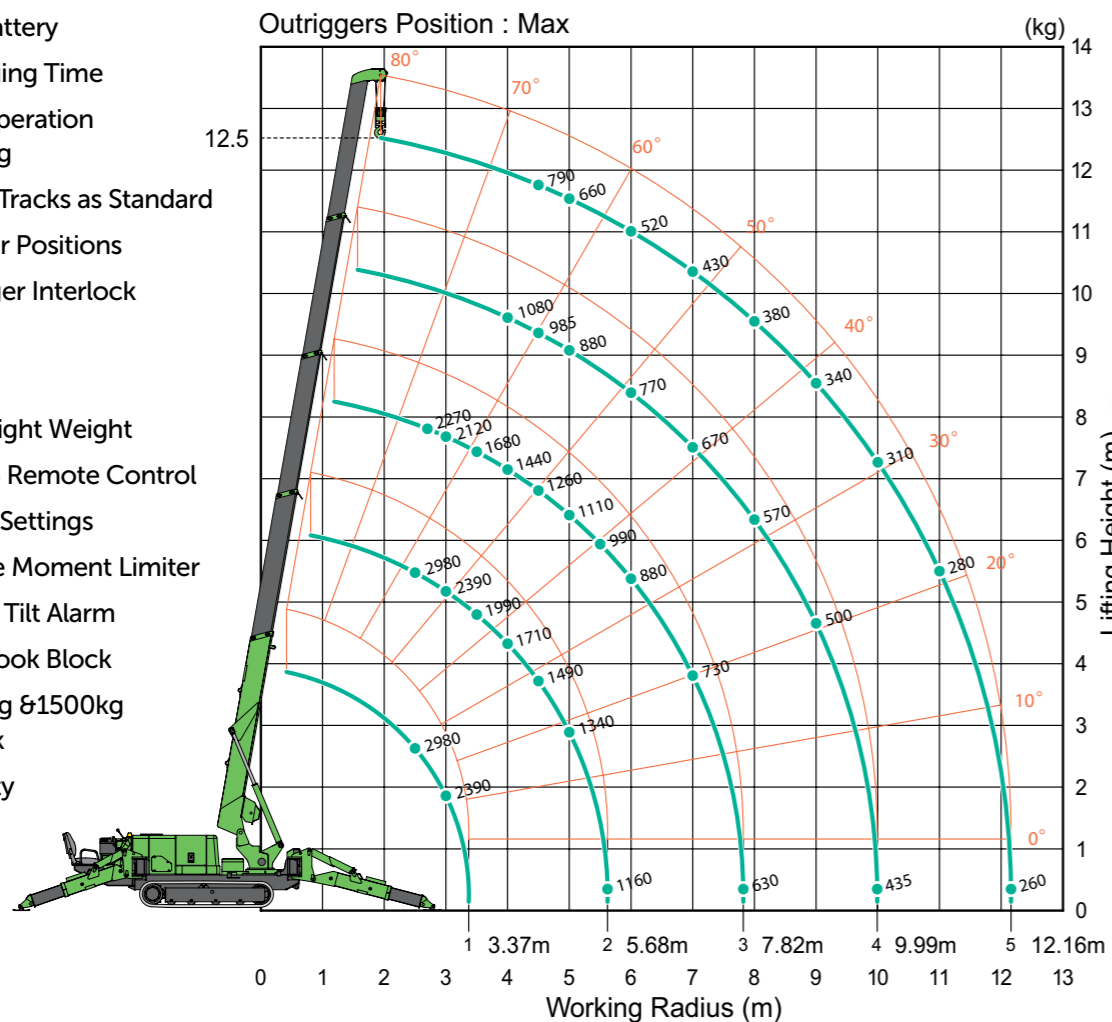
The MC305CB-3 is equipped with a fast charging lithium-ion battery from Toshiba. The crane can be operated for up to a full working day if charged during operation, and it is fully charged in only 4.5 hours. Since operation is possible while charging it facilitates the use and delivers minimum downtime. Welcome to the green way of lifting.



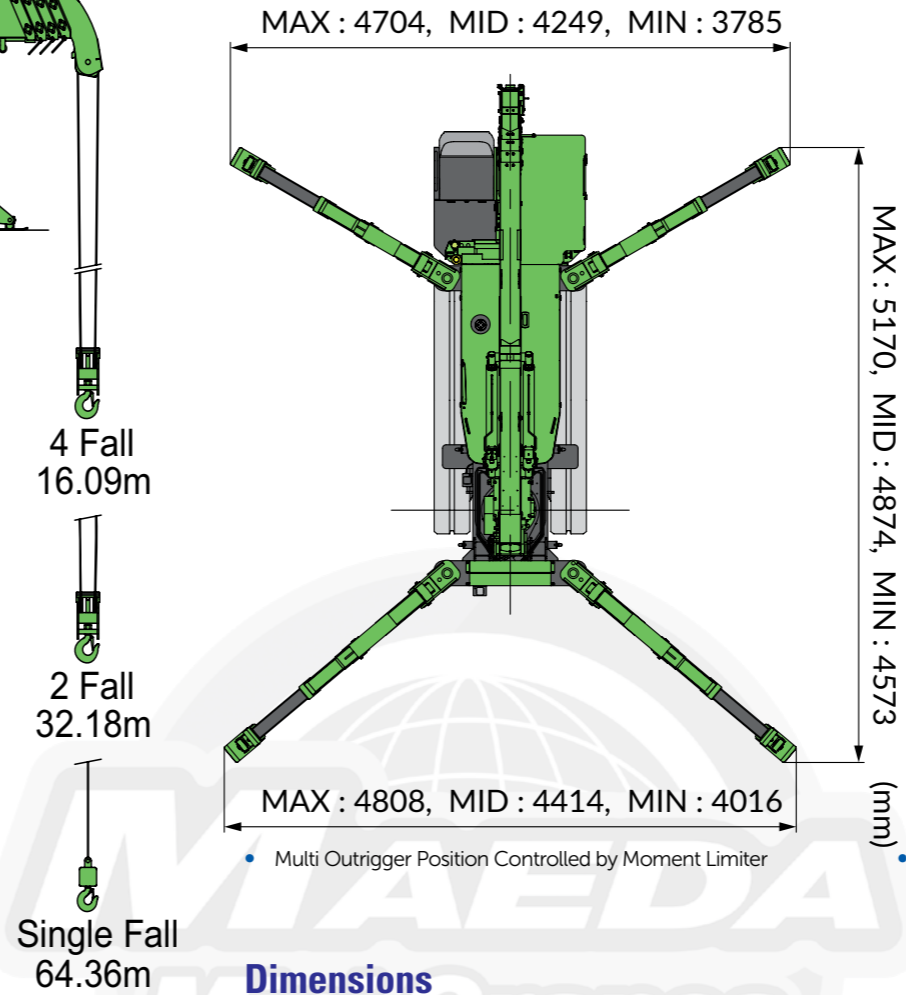
Save energy with the two ECO modes.

- 2.98t Max Capacity
- 12.52m Max Lifting Height
- Lithium-ion Battery
- Minimal Charging Time
- Continuous Operation While Charging
- White Rubber Tracks as Standard
- Multi Outrigger Positions
- Crane/Outrigger Interlock System
- 7" Display
- Low Noise & Light Weight
- Wireless Radio Remote Control
- Working Limit Settings
- Programmable Moment Limiter
- Data Logger & Tilt Alarm
- 4 fall / 2 Fall Hook Block
- Optional 850kg & 1500kg Searcher Hook
- 2 Year Warranty

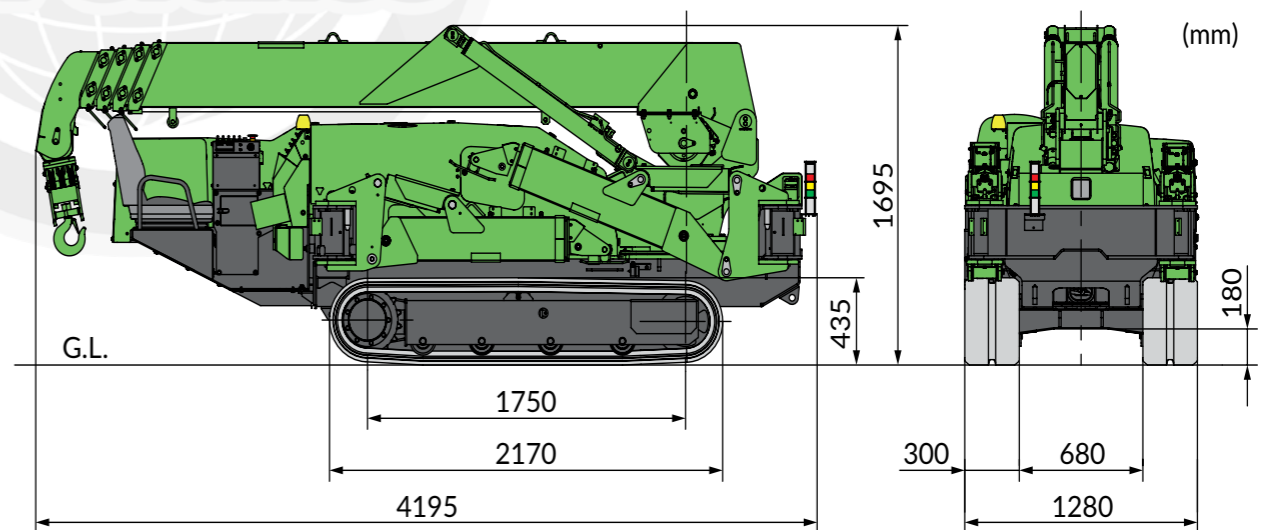
Working Range Chart (4 Falls)



Outrigger Footprints



Dimensions



Total rated load Outriggers at Maximum position

3.695m/5.945m boom		8.145m boom		10.315m boom		12.485m boom	
Working radius (m)	Total rated load (kg)	Working radius (m)	Total rated load (kg)	Working radius (m)	Total rated load (kg)	Working radius (m)	Total rated load (kg)
< 2.5	2980	2.7	2270	4.0	1080	< 4.5	790
3.0	2390	3.0	2120	4.5	985	5.0	660
3.5	1990	3.5	1680	5.0	880	6.0	520
4.0	1710	4.0	1440	6.0	770	7.0	430
4.5	1490	4.5	1260	7.0	670	8.0	380
5.0	1340	5.0	1110	8.0	570	9.0	340
5.62	1160	5.5	990	9.0	500	10.0	310
		6.0	880	9.99	435	11.0	280
		7.0	730			12.16	260
		7.82	630				

Total rated load Outriggers at Minimum position

3.695m/5.945m boom		8.145m boom		10.315m boom		12.485m boom	
Working radius (m)	Total rated load (kg)	Working radius (m)	Total rated load (kg)	Working radius (m)	Total rated load (kg)	Working radius (m)	Total rated load (kg)
< 2.5	2980	2.7	2270	4.0	1060	< 4.5	780
3.0	2350	3.0	2090	4.5	950	5.0	650
3.5	1800	3.5	1680	5.0	860	6.0	500
4.0	1430	4.0	1370	6.0	680	7.0	410
4.5	1140	4.5	1120	7.0	530	8.0	360
5.0	950	5.0	910	8.0	420	9.0	320
5.62	790	5.5	790	9.0	340	10.0	290
		6.0	670	9.99	300	11.0	240
		7.0	510			12.16	210
		7.82	430				

When using two fall or single fall hooks, use the appropriate four fall Total Rated Load Chart but with a maximum load of:
Two Fall - 1480kg, Single Fall - 750kg.