

**SPIERINGS**

MOBILE CRANES

Make: **SPIERINGS**Type: **SK2400-R****LM1****Crane specification (Jib length 42 m)**

Serial Number **2418XX**

Year of construction **20XX**

Strength / stability : as per EN 13001	18,0 tonne	13,5 m	243 tm	42 m
Stability : as per ISO 4305				
Classification : as per ISO 4301-2.A4				

Max. speed Jib horizontal / 30° luffed

m/min	kg	Diagram	Speed
10	18000		0 - 70 m/min
20	9000		0-0,9 r/min
30	4500		
50	2250		
75	0		

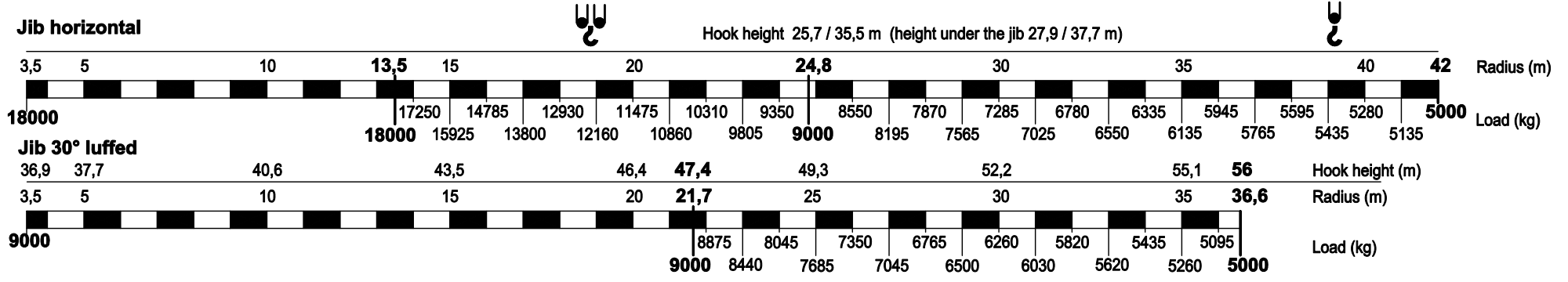
All motions with hydraulic proportional controls.
Luffing the jib 30° can be controlled from crane cab or by remote control.

Counterweight Crane : 23880 kg.
Continuous slewing of the crane (360°) with the outriggers out and support pads down.
Crane can be driven in its erected position under special conditions (refer user guide).
The crane should be folded in at wind force 10 (Bf) (24 m/sec) or when not in use for a longer period.

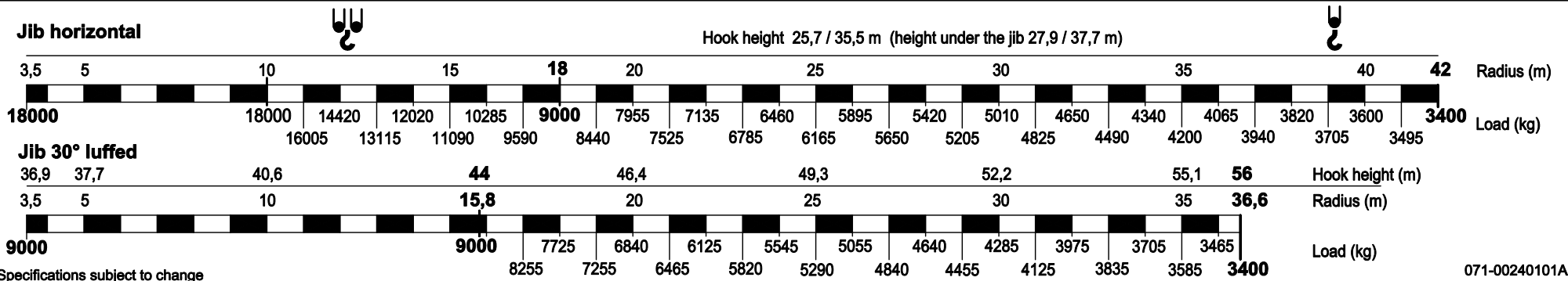
Rated lifting capacity is net capacity.
Max. line pull force : 4500 kg.
2 parts of line : 9000 kg.
4 parts of line : 18000 kg.
Sail area of the load max.: 1,0 m²/ ton.
Operating temperature range from: -15°C till +40°C.

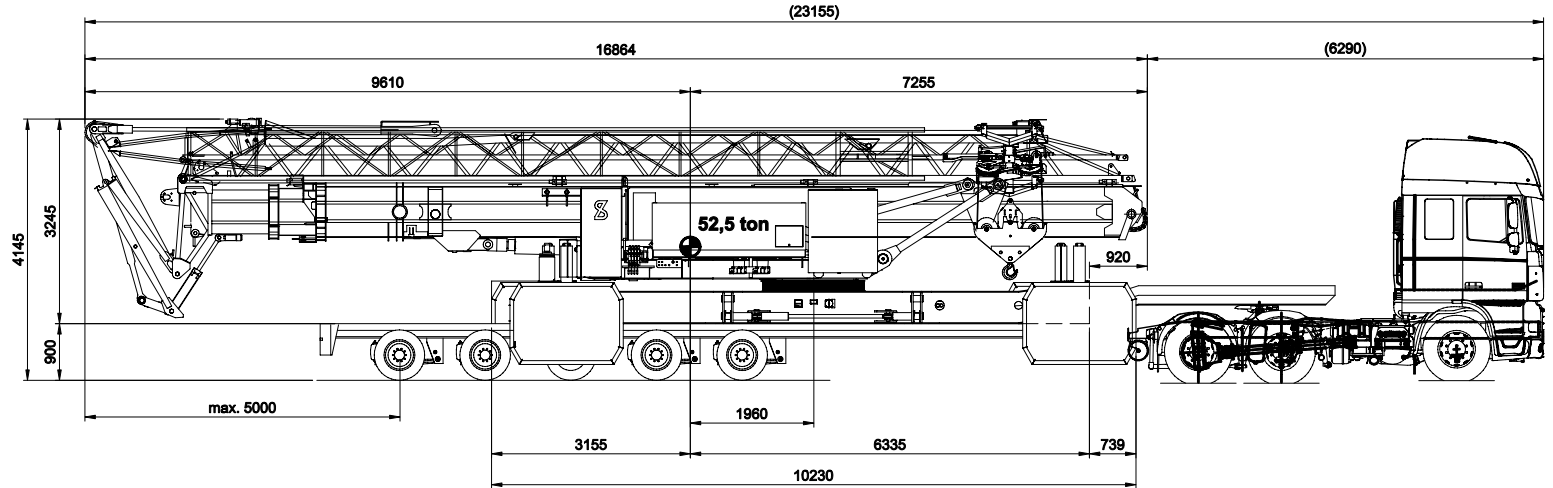
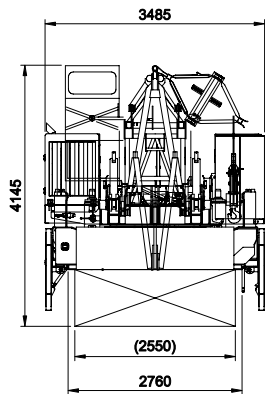
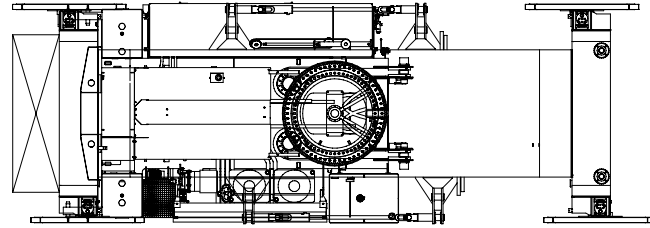
Outriggers positioned according to lifting chart
Outrigger support base : 8,14 x 7,66 m.
Operation allowed up to wind force 8 Bf (17 m/s)
Outrigger support base : 8,14 x 5,88 m.
Operation allowed up to wind force 8 Bf (17 m/s)
Max. outrigger force: 600 kN.
In work: tracks of the ground

LIFTING CHART **Outrigger support base 8,14 m x 7,66 m** (up to wind force 8 on the Beaufort scale (17 m/sec))



LIFTING CHART **Outrigger support base 8,14 m x 5,88 m** (up to wind force 8 on the Beaufort scale (17 m/sec))



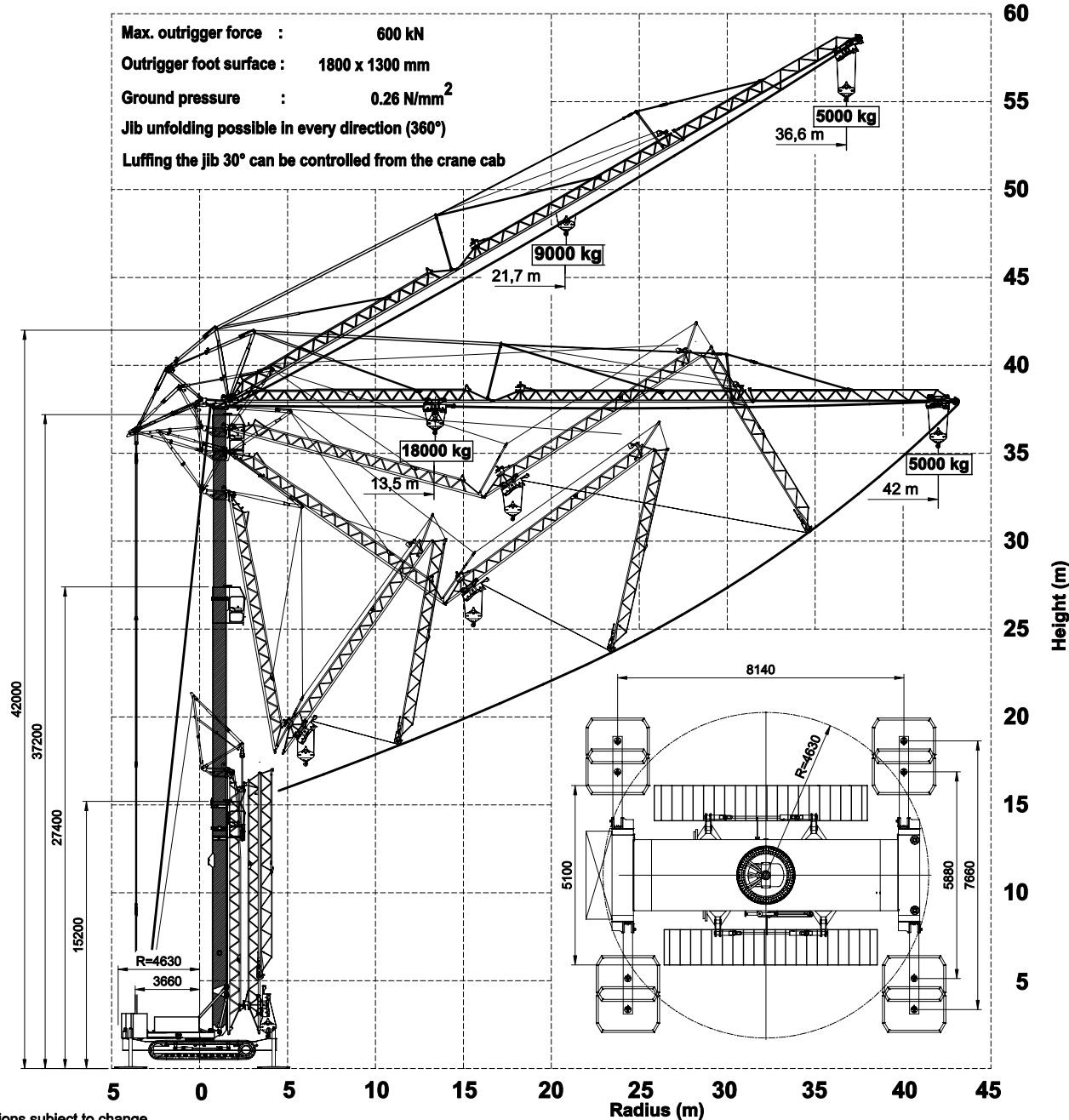


**SPIERINGS HYDRAULIC TRACK FOLDING CRANE
SK 2400 - R**

SPIERINGS
MOBILE CRANES
Merwedestraat 15
5347 KZ Oss NL
Tel. +31 (0)412-626964
Fax +31 (0)412-645299
www.spieringcranes.com

071-00240102

Max. outrigger force : 600 kN
 Outrigger foot surface : 1800 x 1300 mm
 Ground pressure : 0.26 N/mm²
 Jib unfolding possible in every direction (360°)
 Luffing the jib 30° can be controlled from the crane cab



SPIERINGS

HYDRAULIC FOLDING CRANE

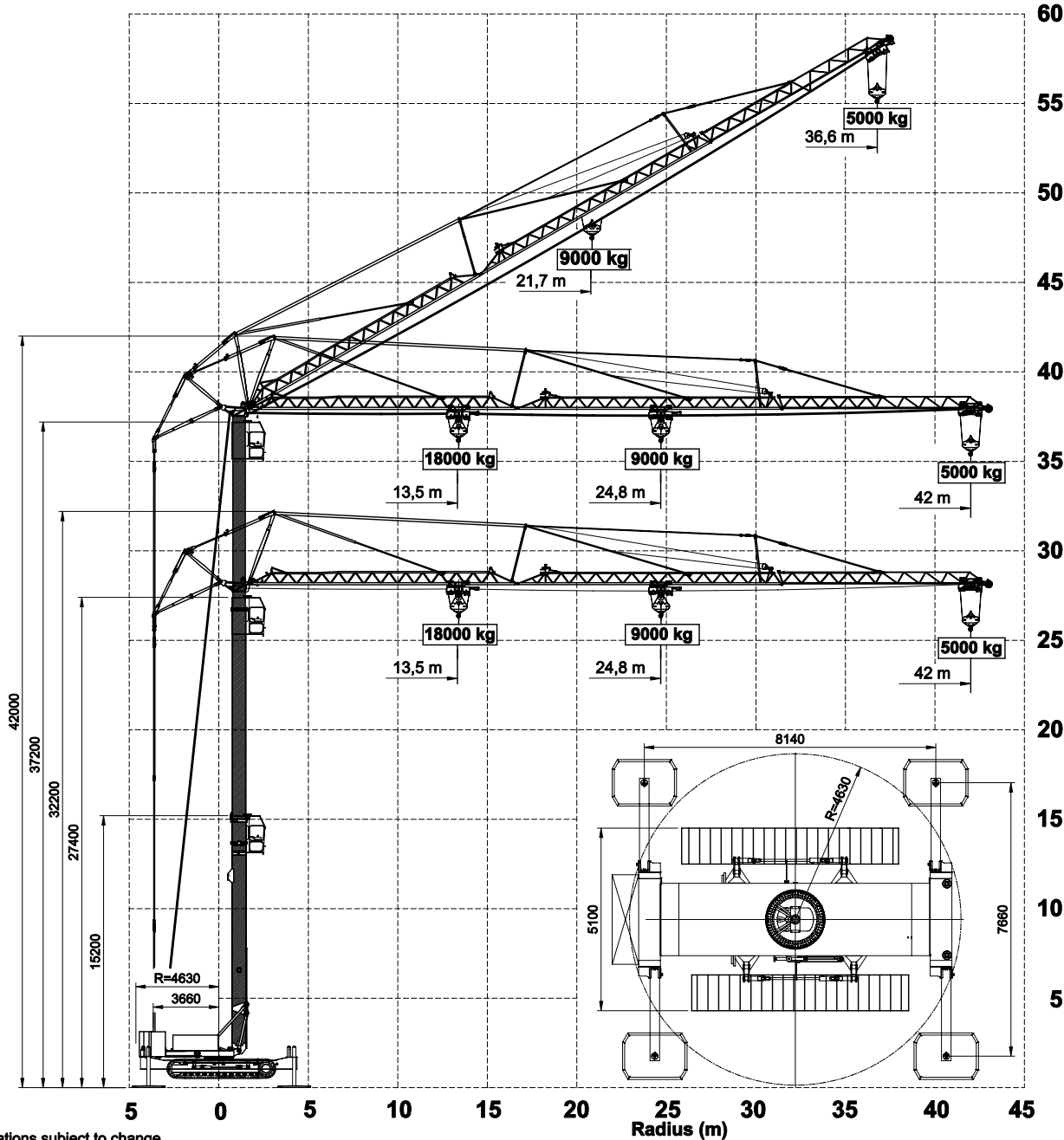
SK2400-R

2418xx

Erection procedure of the crane


SPIERINGS
 MOBILE CRANES
 Merwedestraat 15
 5347 KZ Oss NL
 Tel. +31 (0)412-626964
 Fax +31 (0)412-645299
 www.spieringscranes.com

071-00240103



SPIERINGS

HYDRAULIC FOLDING CRANE

SK2400-R

2418xx

Lifting specifications

Outrigger support base: 8,14 m x 7,66 m

SPIERINGS

MOBILE CRANES

Merwedestraat 15

5347 KZ Oss NL

Tel. +31 (0)412-626964

Fax +31 (0)412-645299

www.spieringscranes.com

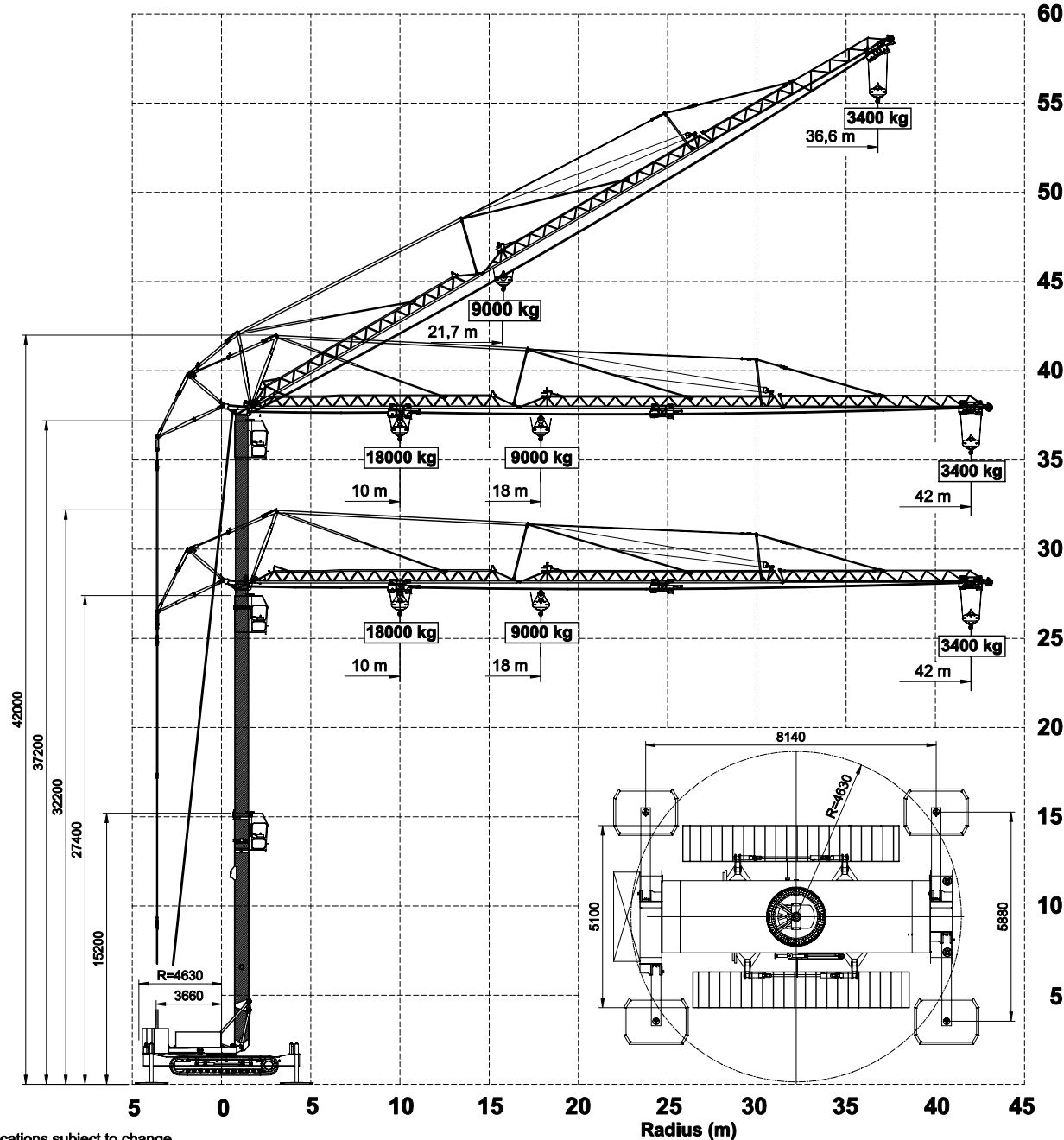
071-00240104

SPIERINGS HYDRAULIC FOLDING CRANE SK2400-R

2418xx

Lifting specifications

Outrigger support base: 8,14 m x 5,88 m



Hook height (m)

Radius (m)

 **SPIERINGS**
MOBILE CRANES

Merwedestraat 15
5347 KZ Oss NL
Tel. +31 (0)412-626964
Fax +31 (0)412-645299
www.spieringscranes.com

071-00240105

**SPIERINGS**

MOBILE CRANES

Make: **SPIERINGS**Type: **SK2400-R**

LM2

Crane specification (Jib length 42 m)

Serial Number **2418xx**

Year of construction **20xx**

Strength / stability : as per EN 13001
 Stability : as per ISO 4305
 Classification : as per ISO 4301-2.A4

Max. load
18,0 tonne

Max. radius with max. load
14,6 m

Max. capacity
263 tm

Max. jib length
42 m

Max. speed		Jib horizontal / 30° luffed	
m/min	kg		
3,3	18000		0 - 23 m/min
6,6	9000		
10	4500		0-0,3 r/min
16	2250		
23	0		

Hoist and trolley movements are not possible at the same time.
 Reduced crane speeds (1/3 nominal).
 All motions with hydraulic proportional controls.
 Luffing the jib 30° can be controlled from crane cab or by remote control.

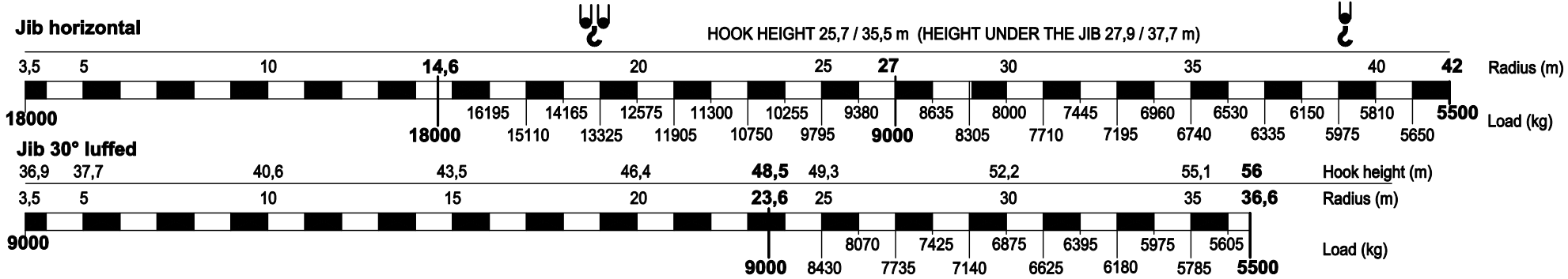
Counterweight Crane: 23880 kg.
 Continuous slewing of the crane (360°) with the outriggers out and support pads down.
 Crane can be driven in its erected position under special conditions (refer user guide).
 The crane should be folded in at wind force 10 (Bf) (24 m/sec) or when not in use for a longer period.

Rated lifting capacity is net capacity.
 Max. line pull force : 4500 kg.
 2 parts of line : 9000 kg.
 4 parts of line : 18000 kg.
 Sail area of the load max.: 1,0 m²/ ton.
 Operating temperature range from: -15°C till +40°C.

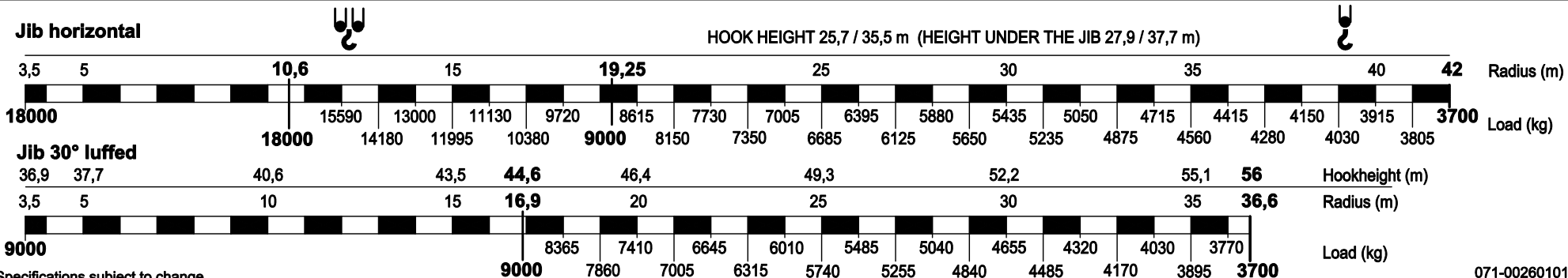
Outriggers positioned according to lifting chart
 Outrigger support base : 7,95 x 7,63 m.
 Operation allowed up to wind force 7 Bf (14 m/s)
 Outrigger support base : 7,95 x 5,72 m.
 Operation allowed up to wind force 7 Bf (14 m/s)
 Max. outrigger force: 615 kN.
 In work: tracks free of the ground.

LIFTING CHART**Outrigger support base 8,14 m x 7,66 m**

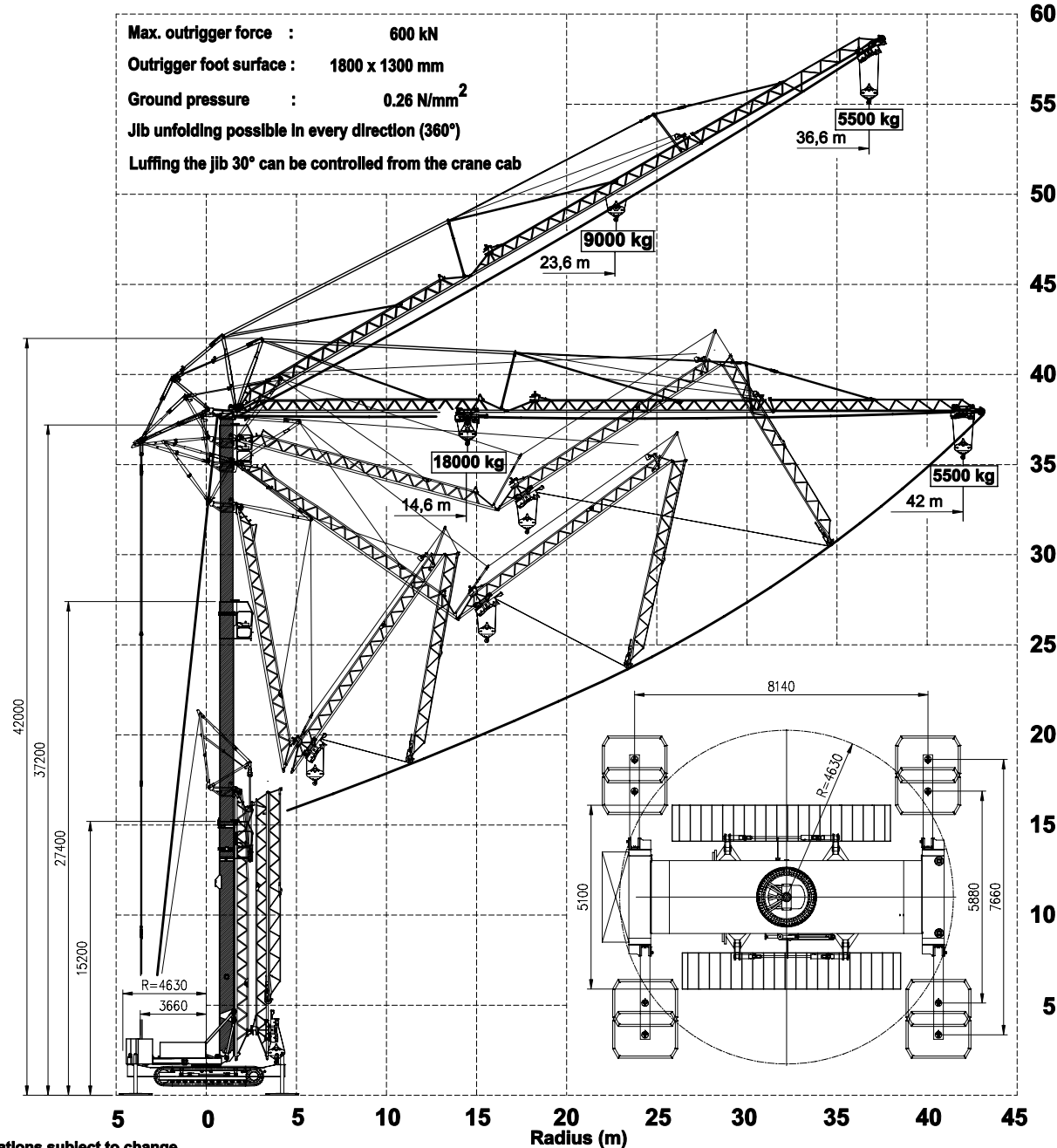
up to wind force 7 on the Beaufort scale (14 m/sec)

**LIFTING CHART****Outrigger support base 8,14 m x 5,88 m**

up to wind force 7 on the Beaufort scale (14 m/sec)



Max. outrigger force : 600 kN
 Outrigger foot surface : 1800 x 1300 mm
 Ground pressure : 0.26 N/mm²
 Jib unfolding possible in every direction (360°)
 Luffing the jib 30° can be controlled from the crane cab



SPIERINGS

HYDRAULIC FOLDING CRANE

SK2400-R

2418xx

Hoist and trolley movements aren't possible at the same time
 Reduced crane speeds (1/3 nominal)

Erection procedure of the crane


SPIERINGS
 MOBILE CRANES
 Merwedestraat 15
 5347 KZ Oss NL
 Tel. +31 (0)412-626964
 Fax +31 (0)412-645299
www.spieringscranes.com

071-00260103

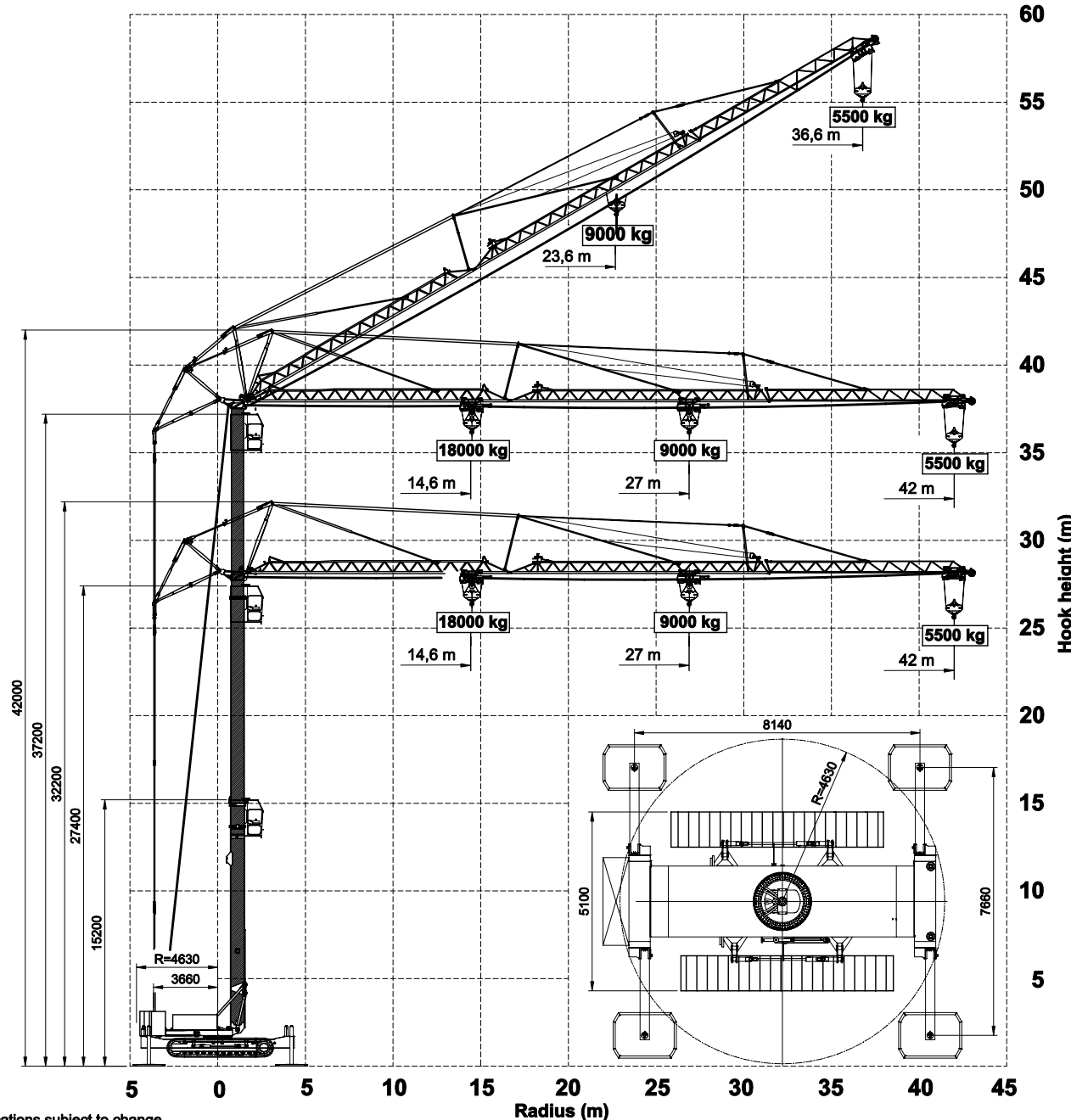
SPIERINGS HYDRAULIC FOLDING CRANE SK2400-R

2418xx

Lifting specifications

Outrigger support base: 8,14 m x 7,66 m

Hoist and trolley movements aren't possible at the same time
Reduced crane speeds (1/3 nominal)



SPIERINGS

MOBILE CRANES

Merwedestraat 15

5347 KZ Oss NL

Tel. +31 (0)412-626964

Fax +31 (0)412-645299

www.spieringscranes.com

071-00260104

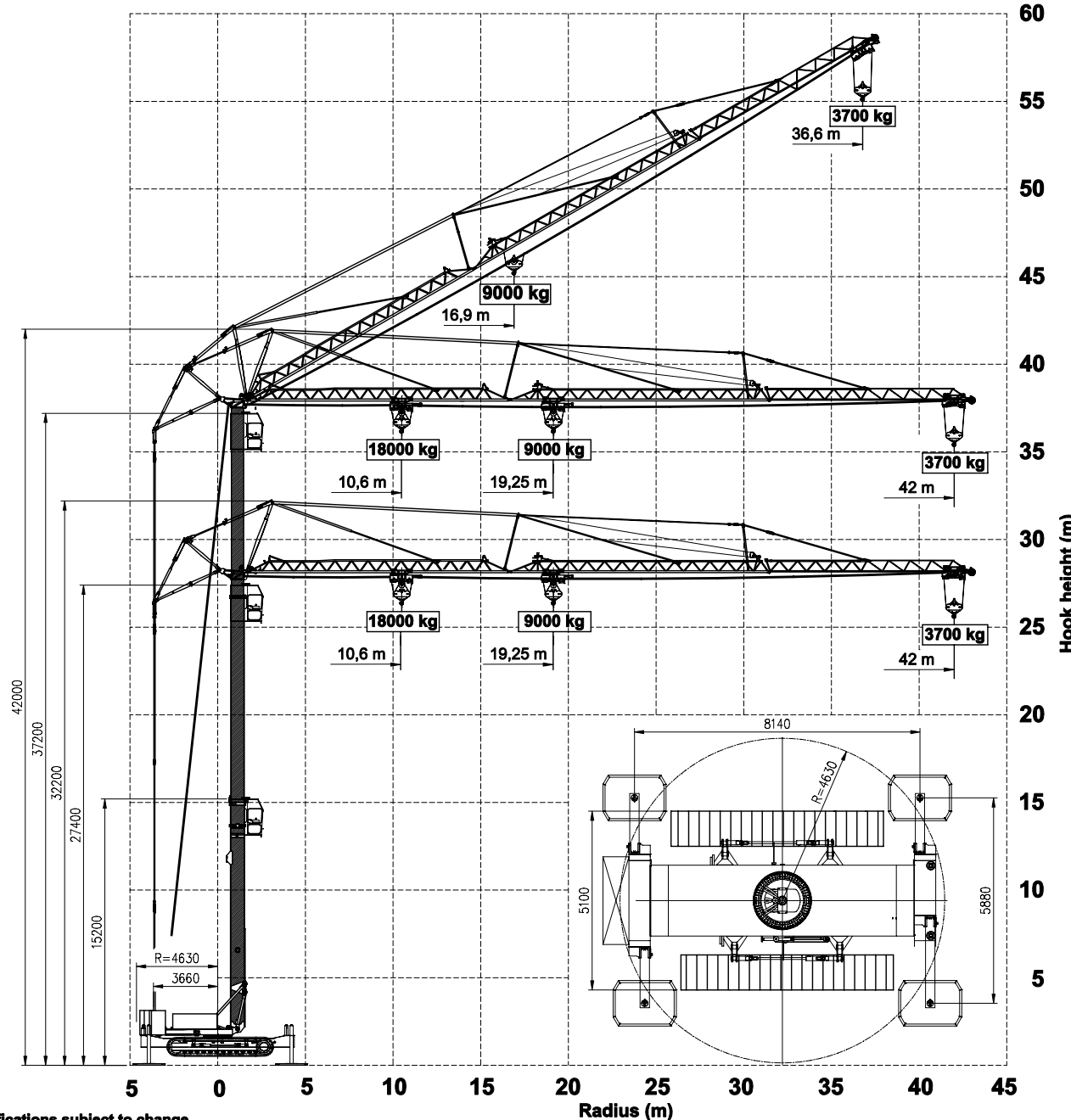
SPIERINGS HYDRAULIC FOLDING CRANE SK2400-R

2418xx

Lifting specifications

Outrigger support base: 8,14 m x 5,88 m

Hoist and trolley movements aren't possible at the same time
Reduced crane speeds (1/3 nominal)



 **SPIERINGS**

MOBILE CRANES

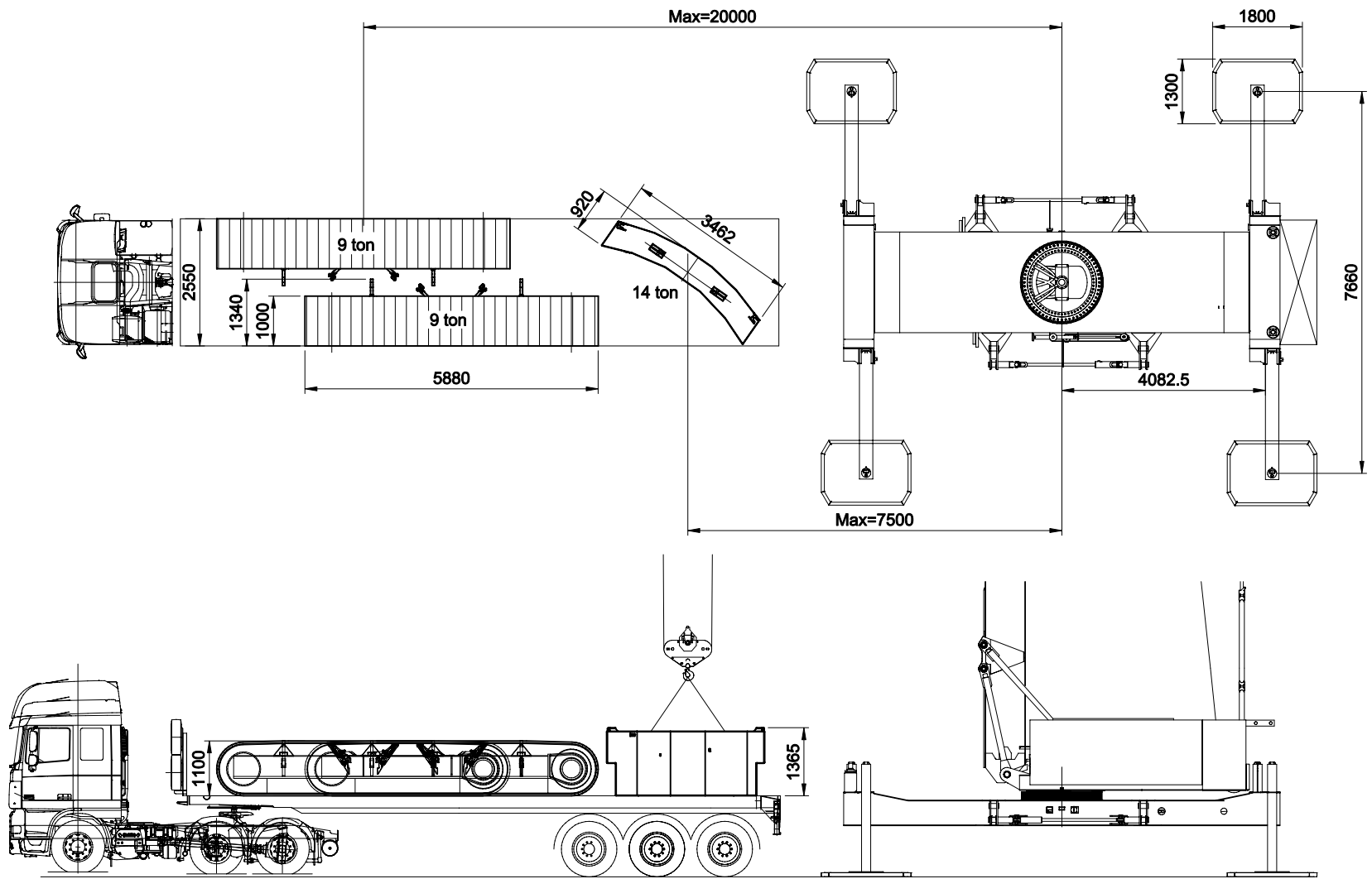
Merwedestraat 15
5347 KZ Oss NL

Tel. +31 (0)412-626964

Fax +31 (0)412-645299

www.spieringscranes.com

071-00260105



SPIERINGS HYDRAULIC TRACK FOLDING CRANE

SK 2400 - R


SPIERINGS
 MOBILE CRANES
 Merwedestraat 15
 5347 KZ Oss NL
 Tel. +31 (0)412-626964
 Fax +31 (0)412-645290
www.spieringcranes.com
 071-00240106A