



**NEW**  
Stage V  
engine

## SK2400-R

- 42 meter radius / 18,000 kg max / 5,500 kg max tip load
- 50 meter radius / 18,000 kg max / 2,500 kg max tip load

 **SPIERINGS**  
MOBILE CRANES

# Your lifting capacity to the max



## Upper engine

With the newest emission regulations Spierings chooses for a Stage V engine. The John Deere 6 Cylinder diesel engine (constant rpm) is mounted in the super structure. The engine and the hydraulic pumps are mounted in a high quality sound reducing cover.



## Outrigger pads

The Steel pads of 1800 x 1300 x 80 millimeter are standard mounted and stays at the outriggers enduring transport. All the outriggers are equipped with an outrigger pressure measure system and made out of high strength steel.



## Strongest mobile tower crane

The SK2400-R is the strongest mobile tower crane build on a crawler chassis. The crane can lift 18 ton maximum at 14,6 meter radius and 5,5 ton on 42 meter radius with a maximum hook height of 60 meter.



## Efficient Transport

Only two trailers are needed to transport the crane. At one trailer the crane itself are transported. At the second trailer the counter weight and crawlers are carried.



### Hydraulic motions

All crane motions are hydraulic proportional controlled. This makes the crane easy to operate and gives maximum precision and efficiency.



### Unload and self-install

The crane unload and self-install its counter weight and tracks. There is no additional crane needed to setup the crane.



### Setup in less than 60 minutes

The total setup time of the SK2400-R including mounting the counter weight and the crawlers is within 60 minutes.



SK2400-R



Transportation



Erect the crane



Lock counterweight on superstructure



Mount second track



Driving crawler erected



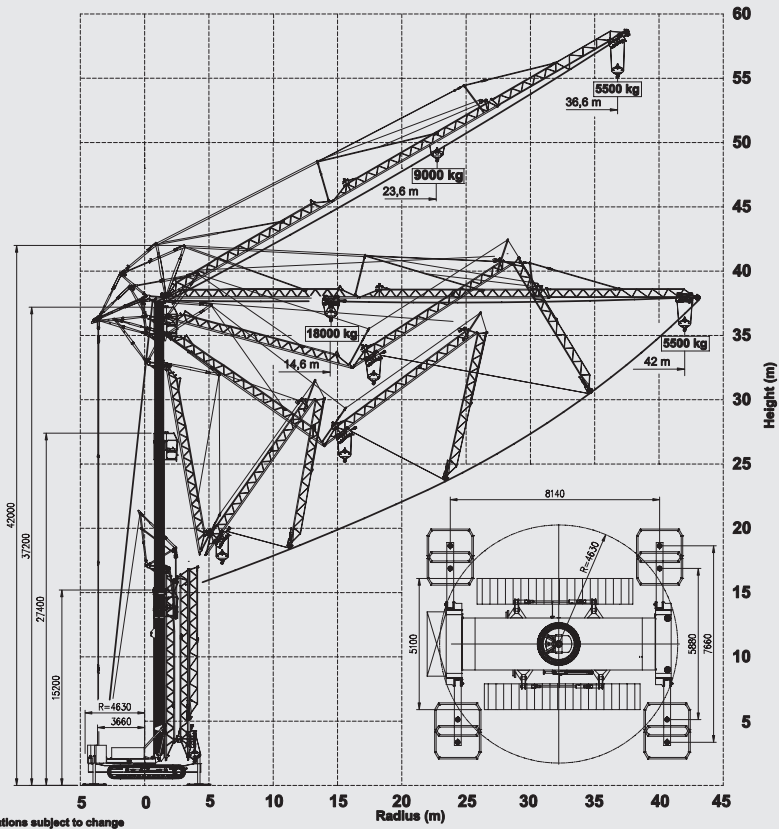
Lifting track off trailer



Manoeuvre track towards chassis

# SK2400-R

# 42 meter jib



## SPIERINGS SK2400-R

42 m

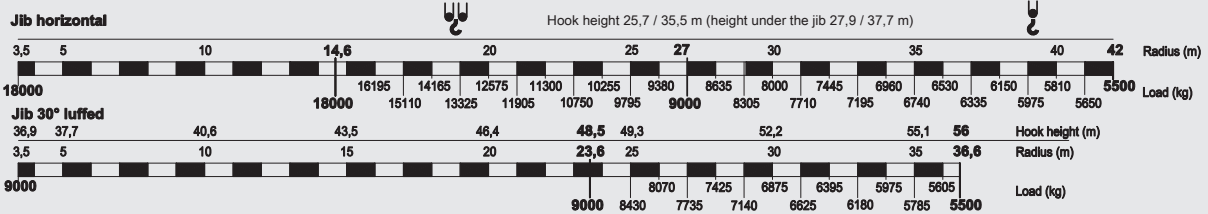
Hydraulic Folding Crane

### Erection procedure of the crane

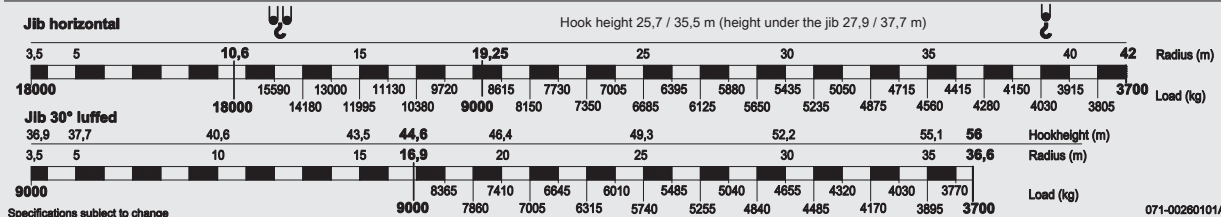
- Max. outrigger force: 615 kN
- Outrigger support pads: 1800 x 1300 mm
- Ground pressure: 0,26 N/mm<sup>2</sup>
- Jib can be unfolded through 360°
- Luffing the jib 30° can be controlled from the crane cab or remote control

Specifications subject to change

### 110% LIFTING CHART Outrigger support base 8,14 m x 7,66 m up to wind force 7 on the Beaufort scale (14 m/sec)



### 110% LIFTING CHART Outrigger support base 8,14 m x 5,88 m up to wind force 7 on the Beaufort scale (14 m/sec)

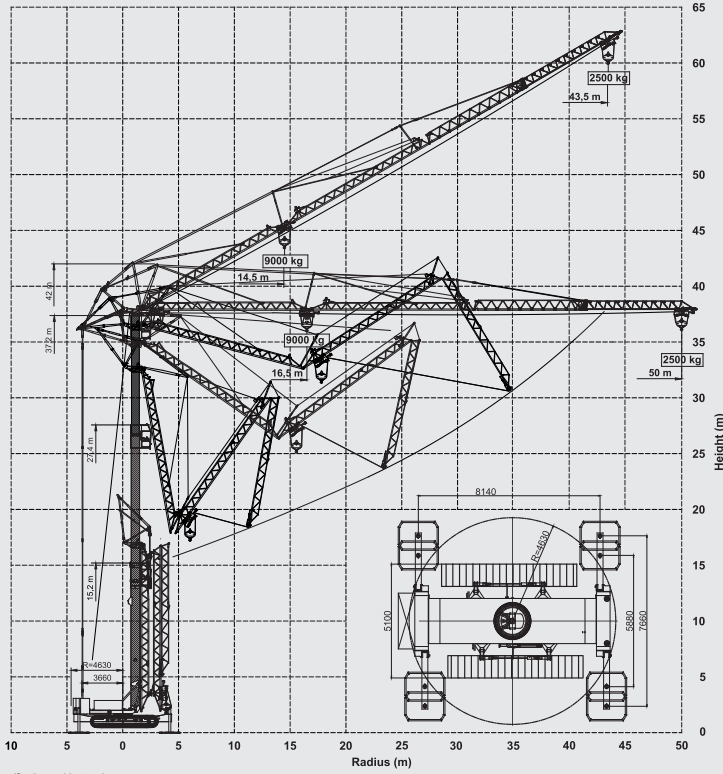


Specifications subject to change

071-00280101A

# SK2400-R

# 50 meter jib



Specifications subject to change

## SPIERINGS SK2400-R

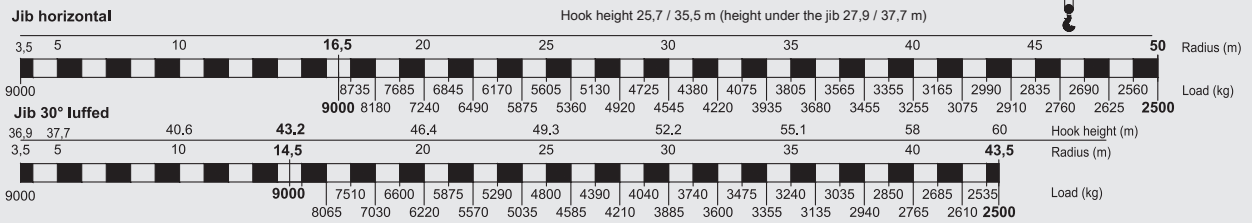
50m

Hydraulic Folding Crane

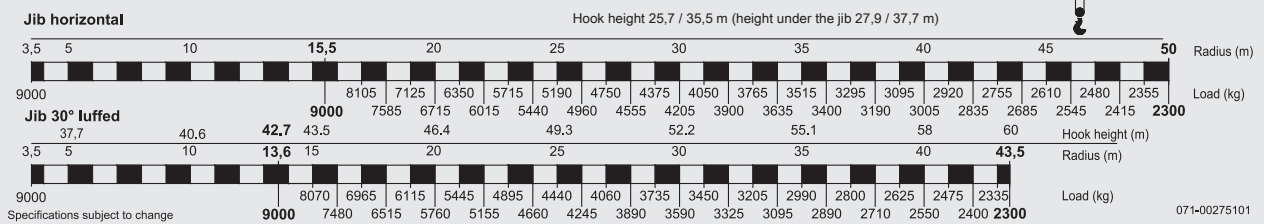
### Erection procedure of the crane

- Max. outrigger force: 520 kN
- Outrigger support pads: 1800 x 1300 mm
- Ground pressure: 0,22 N/mm<sup>2</sup>
- Jib can be unfolded through 360°
- Luffing the jib 30° can be controlled from the crane cab or remote control

### LIFTING CHART Outrigger support base 8,14 m x 7,66 m up to wind force 7 on the Beaufort scale (17 m/sec)

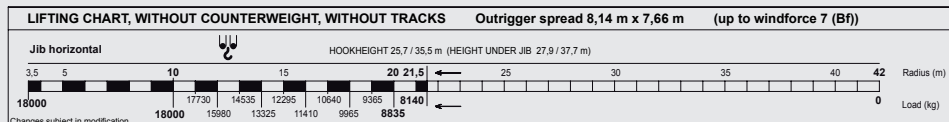
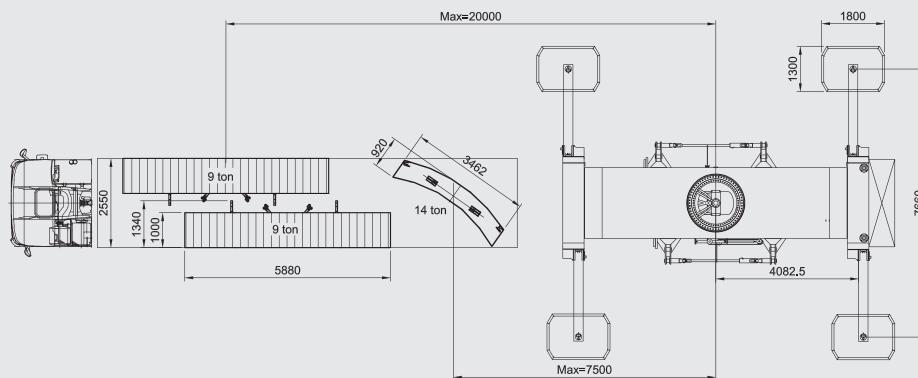
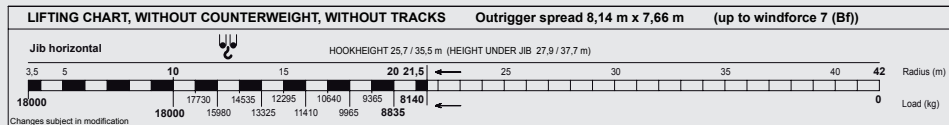
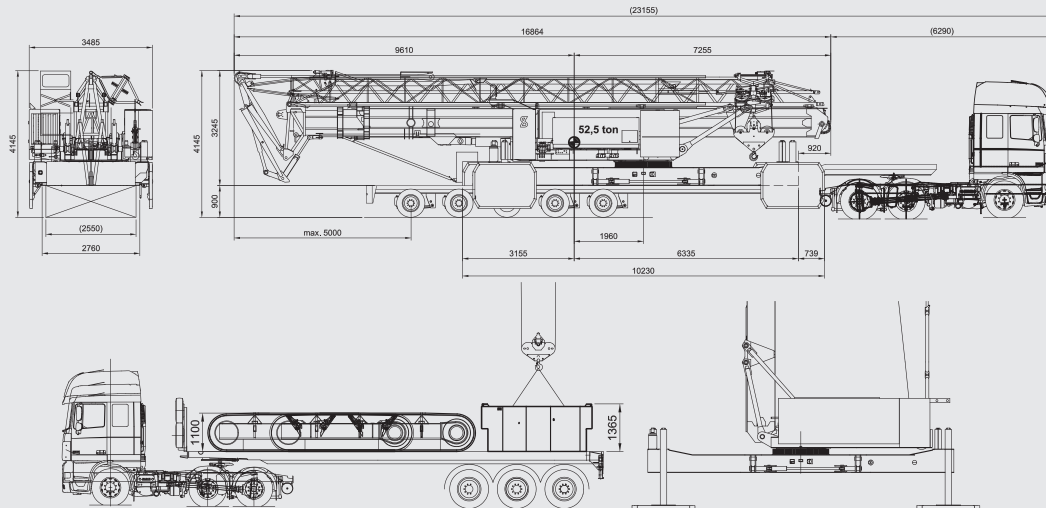


### LIFTING CHART Outrigger support base 8,14 m x 5,88 m up to wind force 7 on the Beaufort scale (17 m/sec)



Specifications subject to change

071-00275101



Max speed carrier: 2,7 km/u  
Overall weight: 84.000 kg

Crane diesel engine: Stage V John Deere 6068HFC09  
Power: 187 kW (2400 TPM)  
Torque: 1025 Nm (1400 TPM)

Track: B7 (1m x 1m H.O.H. 4,8m)  
Crawler engine (hydraulic): A6VM107EP2  
Reduction gear: F100i = 175

Interactor: Rexroth  
O & K

Driving crawler erected (superstructure locked and without load):  
- In operating mode 2° incline an alert, 3° incline stop  
- Jib sections between the tower 6° incline an alert, 8° incline stop

Specifications subject to change

**Video SK2400-R:**



**SPIERINGS**  
MOBILE CRANES

**Lift to the max.**

Spierings Mobile Cranes B.V.  
Merwedestraat 15  
5347 KZ Oss - The Netherlands  
PO Box 24, NL-5340 AA Oss

T +31(0) 412 69 77 77  
I www.spieringscranes.com  
E sales@spieringscranes.com